

# SERIES 22S

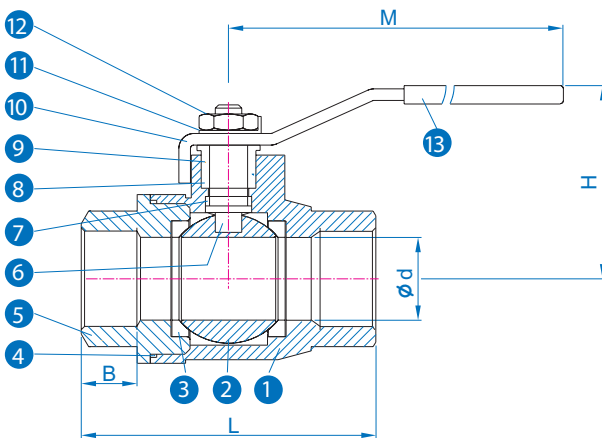
## FULL PORT 2 PIECE BALL VALVE

### FEATURES

- Face To Face According To DIN 3202-M3
- Heavy Duty Construction
- 100% Bubble Tight Testing Per BS5351
- Silicone Free Guaranteed
- Double stem sealing (option)
- Belleville washers for self-adjust (option)



Size Available from 1/4" to 2" (1000WOG)



### MATERIAL LIST

NO.	PART NAME	MATERIAL	Q'TY
1	BODY	CF8M / 1.4408	1
2	BALL	ASTM A351 Gr CF8M	1
3	SEAT	PTFE	2
4	BODY SEAL	PTFE	1
5	CAP	CF8M / 1.4408	1
6	STEM	316SS	1
7	THRUST WASHER	PTFE	1
8	STEM PACKING	PTFE	1
9	GLAND NUT	304SS	1
10	HANDLE	304SS	1
11	STEM WASHER	304SS	1
12	STEM NUT	304SS	1
13	HANDLE SLEEVE	VINYL	1
14	LOCKING DEVICE	304SS	1

### DIMENSIONS (mm)

SIZE	Ød	B	L	H	M	W (kg)
1/4"	11.2	10.0	50	52	108	0.24
3/8"	11.2	10.0	60	54	108	0.28
1/2"	15.0	13.0	75	62	136	0.44
3/4"	20.0	16.0	80	65	150	0.56
1"	25.0	17.0	90	80	168	0.88
1-1/4"	32.0	20.0	110	85	168	1.44
1-1/2"	40.0	22.0	120	95	195	1.93
2"	50.0	25.0	140	110	195	3.36